



N 沟道增强型场效应晶体管

N-CHANNEL MOSFET

FHP20N65B/ FHF20N65B/FHA20N65B

主要参数 MAIN CHARACTERISTICS

ID	20A
VDSS	650V
Rdson-typ (@Vgs=10V)	0.36Ω
PD(Tc=25°C)	230W

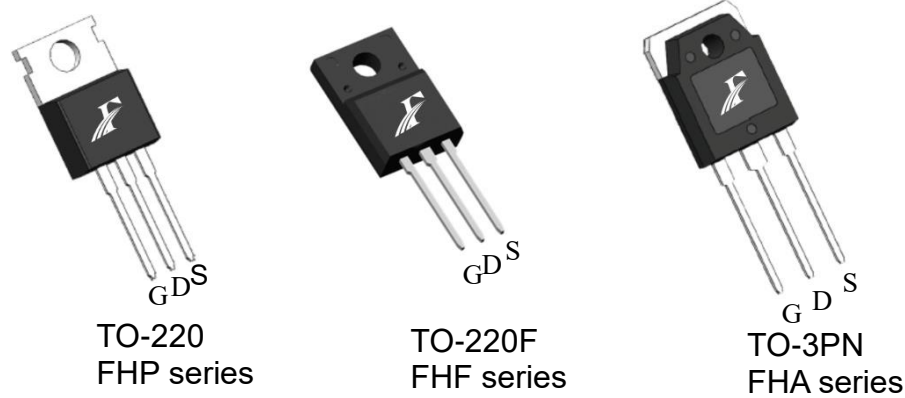
用途 APPLICATION

高频开关电源	High efficiency switch mode power supplies
电子镇流器	Electronic ballast
LED 电源	LED power supply

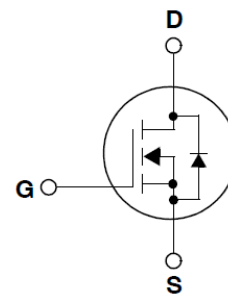
产品特性 FEATURES

低栅极电荷	Low gate charge
低 Crss (典型值 15pF)	Low Crss (typical 15pF)
开关速度快	Fast switching
100%经过雪崩测试	100% avalanche tested
100%经过热阻测试	100% DVDS tested
100%经过 RG 测试	100% Rg tested
高抗 dv/dt 能力	Improved dv/dt capability
RoHS 产品	RoHS product

封装形式 Package



等效电路 Equivalent Circuit



绝对最大额定值 ABSOLUTE RATINGS (Tc=25°C)

项目 Parameter	符号 Symbol	数值 Value			单位 Unit
		FHF20N65B	FHP20N65B	FHA20N65B	
最高漏极-源极直流电压 Drain-Source Voltage	V _{DS}	650			V
连续漏极电流* Drain Current -continuous *	I _D (T _C =25°C)	20			A
	I _D (T _C =100°C)	12.6			A
最大脉冲漏极电流 (注 1) Drain Current - pulse (note 1)	I _{DM}	80			A
最高栅源电压 Gate-Source Voltage	V _{GS}	±30			V
单脉冲雪崩能量 (注 2) Single Pulsed Avalanche Energy (note 2)	E _{AS}	1200			mJ
雪崩电流 (注 1) Avalanche Current (note 1)	I _{AR}	15.5			A
重复雪崩能量 (注 1) Repetitive Avalanche Current (note 1)	E _{AR}	90			mJ
二极管反向恢复最大电压变化速率 (注 3) Peak Diode Recovery dv/dt (note 3)	dv/dt	5.0			V/ns
耗散功率 Power Dissipation	P _D (TC=25°C)	48	230	300	W
	-Derate above 25°C	0.38	1.85	2.4	W/°C
最高结温及存储温度 Operating and Storage Temperature Range	T _J , T _{STG}	150, -55 to 150			°C
引线最高焊接温度 Maximum Lead Temperature for Soldering Purposes	T _L	300			°C

*漏极电流由最高结温限制

*Drain current limited by maximum junction temperature

电特性 ELECTRICAL CHARACTERISTICS

项目 Parameter	符号 Symbol	测试条件 Tests conditions	最小 Min	典型 Typ	最大 Max	单位 Units
关态特性 Off –Characteristics						
漏-源击穿电压 Drain-Source Voltage	BV_{DSS}	$I_D=250\mu A, V_{GS}=0V$	650	-	-	V
击穿电压温度特性 Breakdown Voltage Temperature Coefficient	$\Delta BV_{DSS}/\Delta T_J$	$I_D=250\mu A$, referenced to 25°C	-	0.65	-	V/°C
零栅压下漏极漏电流 Zero Gate Voltage Drain Current	I_{DSS}	$V_{DS}=650V, V_{GS}=0V, T_C=25^\circ C$	-	-	10	μA
		$V_{DS}=520V, T_C=125^\circ C$	-	-	100	μA
栅极体漏电流 Gate-body leakage current	$I_{GSS} (F/R)$	$V_{DS}=0V, V_{GS}=\pm 30V$	-	-	± 100	μA
通态特性 On-Characteristics						
阈值电压 Gate Threshold Voltage	$V_{GS(th)}$	$V_{DS} = V_{GS}, I_D=250\mu A$	2.0	-	4.0	V
静态导通电阻 Static Drain-Source On-Resistance	$R_{DS(ON)}$	$V_{GS} = 10V, I_D=10A$	-	0.36	0.45	Ω
动态特性 Dynamic Characteristics						
输入电容 Input capacitance	C_{iss}	$V_{DS}=25V,$ $V_{GS} = 0V,$ $f=1.0MHz$	-	3710	-	pF
输出电容 Output capacitance	C_{oss}		-	250	-	
反向传输电容 Reverse transfer capacitance	C_{rss}		-	15	-	
开关特性 Switching Characteristics						
延迟时间 Turn-On delay time	$t_{d(on)}$	$V_{DS}=325V,$ $I_D=20A,$ $R_G=25\Omega$ (note 4, 5)	-	53	-	ns
上升时间 Turn-On rise time	t_r		-	85	-	ns
延迟时间 Turn-Off delay time	$t_{d(off)}$		-	99	-	ns
下降时间 Turn-Off Fall time	t_f		-	93	-	ns
栅极电荷总量 Total Gate Charge	Q_g	$V_{DS} = 520V,$ $I_D=20A,$ $V_{GS} = 10V$ (note 4, 5)	-	62	-	nC
栅-源电荷 Gate-Source charge	Q_{gs}		-	15	-	nC
栅-漏电荷 Gate-Drain charge	Q_{gd}		-	38	-	nC
漏-源二极管特性及最大额定值 Drain-Source Diode Characteristics and Maximum Ratings						
正向最大连续电流 Maximum Continuous Drain -Source Diode Forward Current		I_S	-	-	20	A
正向最大脉冲电流 Maximum Pulsed Drain-Source Diode Forward Current		I_{SM}	-	-	80	A
正向压降 Drain-Source Diode Forward Voltage	V_{SD}	$V_{GS}=0V, I_S=20A$	-	-	1.2	V
反向恢复时间 Reverse recovery time	t_{rr}	$V_{GS}=0V, I_S=20A, di_F/dt=100A/\mu s$ (note 4)	-	556	-	ns
反向恢复电荷 Reverse recovery charge	Q_{rr}		-	-	-	μC

热特性 THERMAL CHARACTERISTIC

项目 Parameter	符号 Symbol	FHF20N65B	FHP20N65B	FHA20N65B	单位 Unit
结到管壳的热阻 Thermal Resistance, Junction to Case	Rth(j-c)	2.6	0.54	0.42	°C/W
结到环境的热阻 Thermal Resistance, Junction to Ambient	Rth(j-A)	62.5	62.5	40	°C/W

注释:

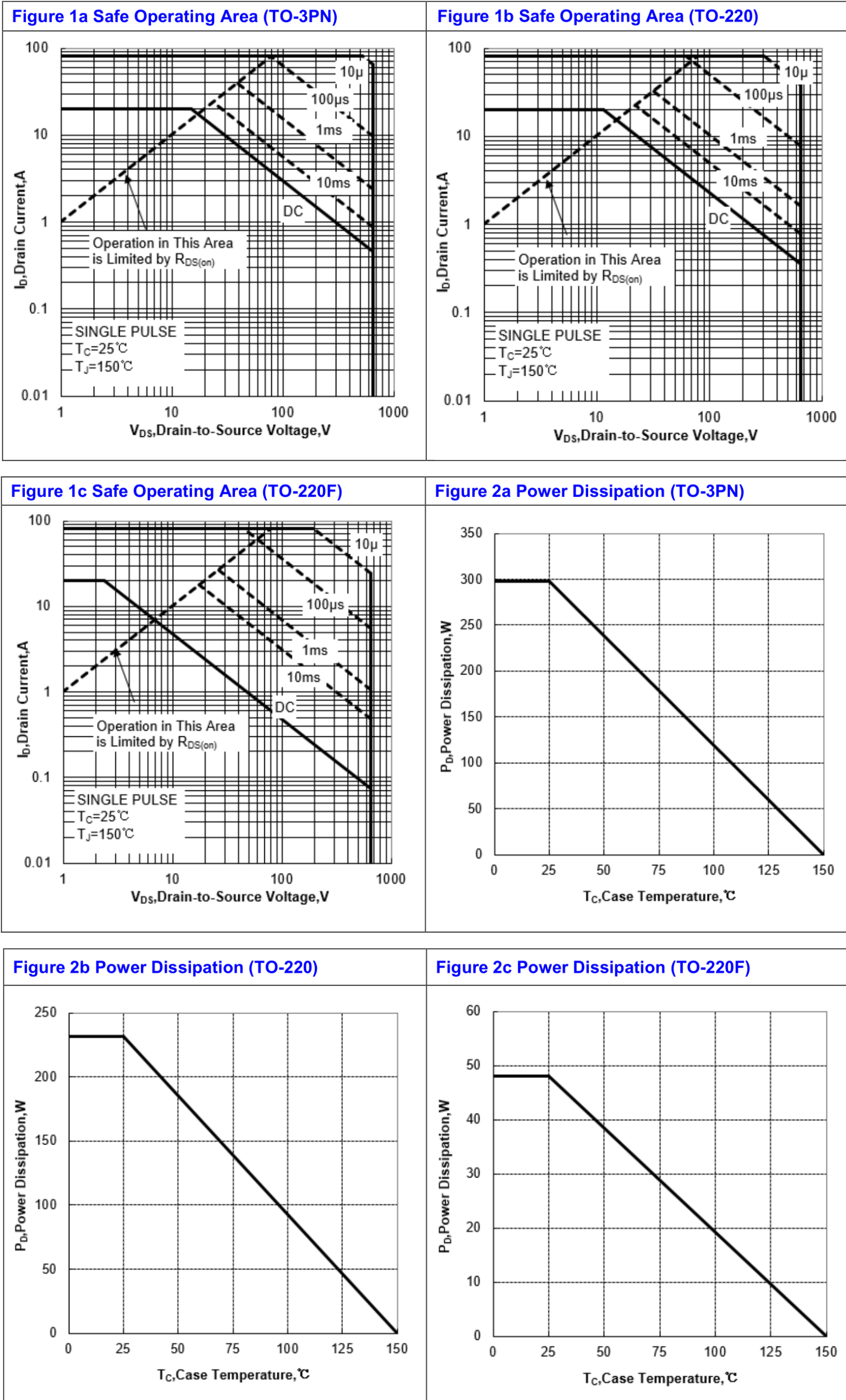
Notes:

- 1: 脉冲宽度由最高结温限制
- 2: L=10mH, V_{DD}=50V, R_G=25 Ω, 起始结温 T_J=25°C
- 3: I_{SD} ≤20A, di/dt ≤100A/μs, V_{DD}≤BV_{DSS}, 起始结温 T_J=25°C
- 4: 脉冲测试: 脉冲宽度 ≤300μs, 占空比≤2%
- 5: 基本与工作温度无关

- 1: Pulse width limited by maximum junction temperature
- 2: L=10mH, V_{DD}=50V, R_G=25 Ω, Start T_J=25°C.
- 3: I_{SD} ≤20A, di/dt ≤100A/μs, V_{DD}≤BV_{DSS}, Starting T_J=25°C
- 4: Pulse Test: Pulse Width ≤300μs, Duty Cycle≤2%
- 5: Essentially independent of operating temperature

特性曲线

ELECTRICAL CHARACTERISTICS (curves)



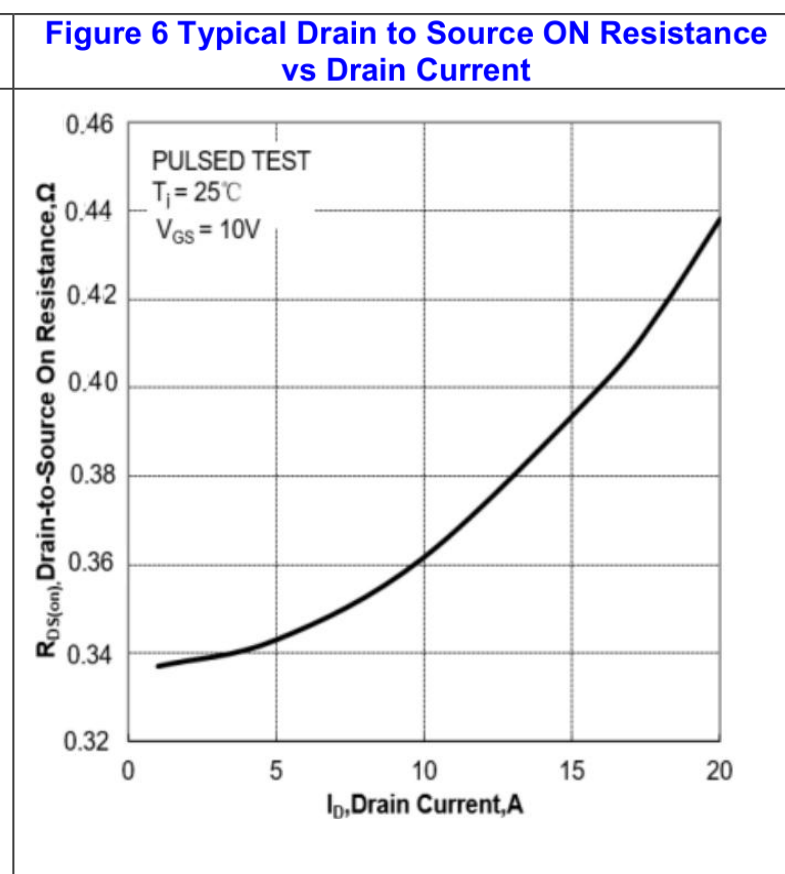
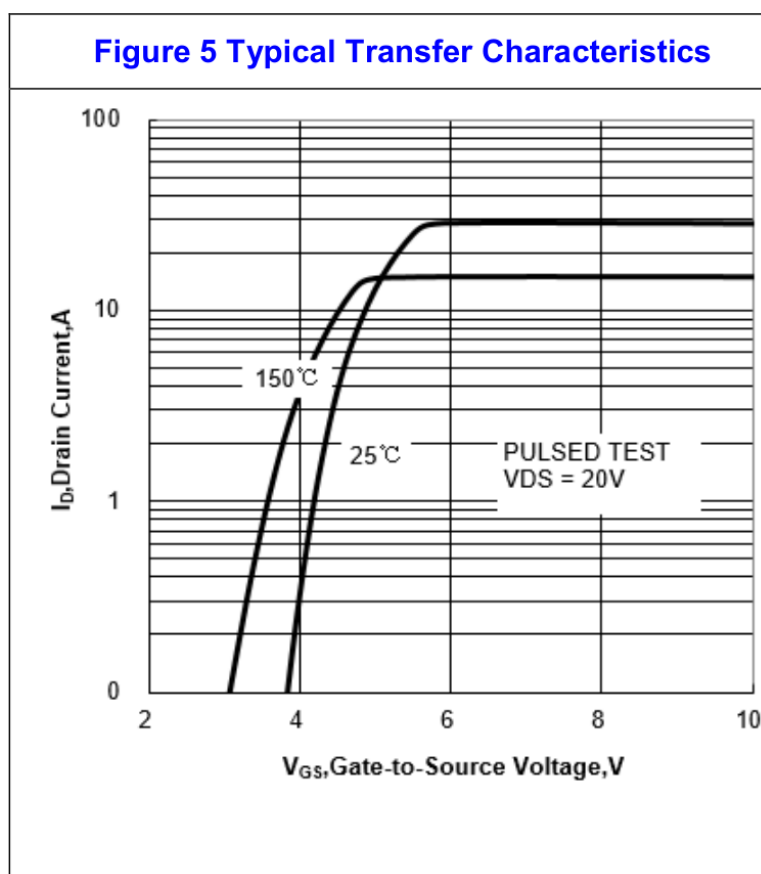
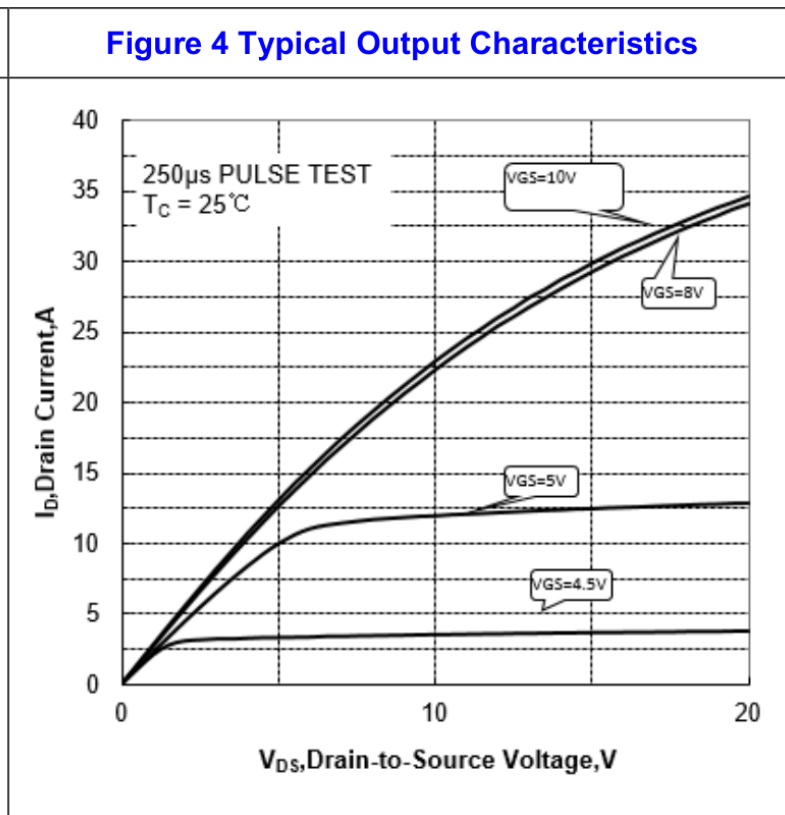
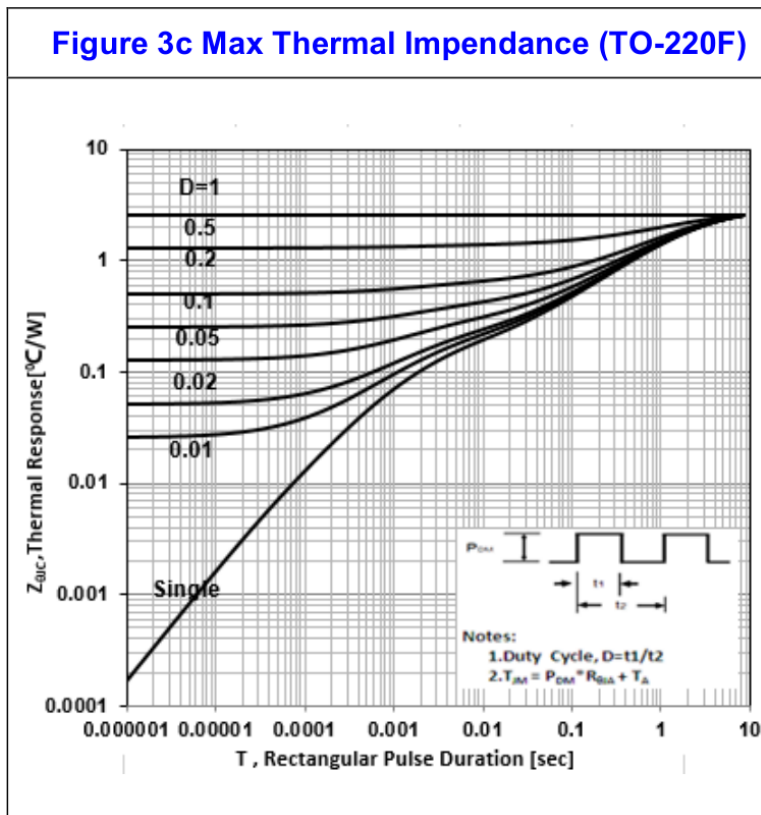
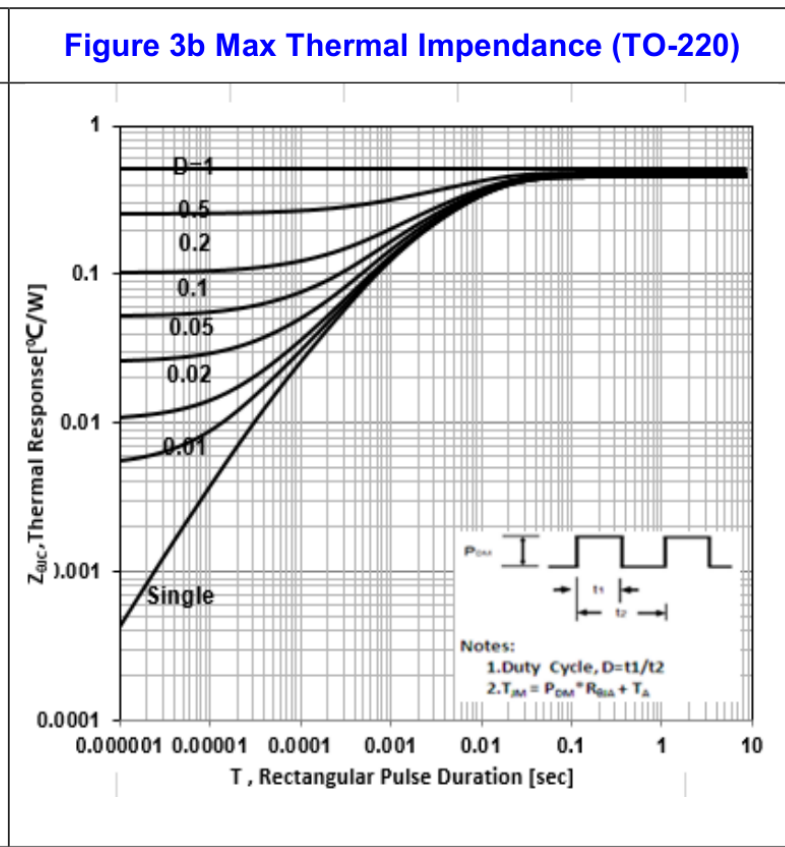
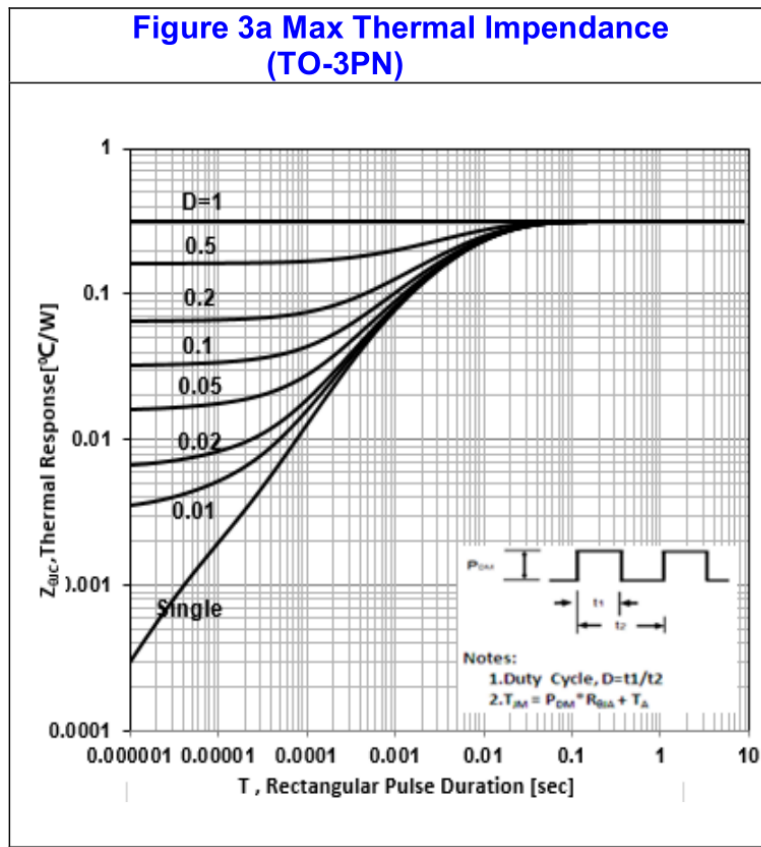


Figure 7 Typical Drian to Source on Resistance vs Junction Temperature

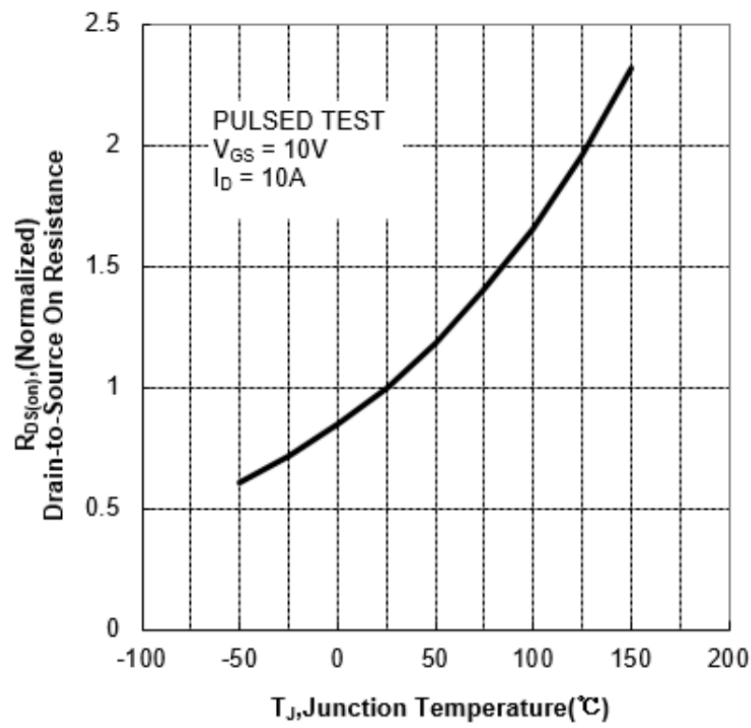


Figure 8 Typical Theshold Voltage vs Junction Temperature

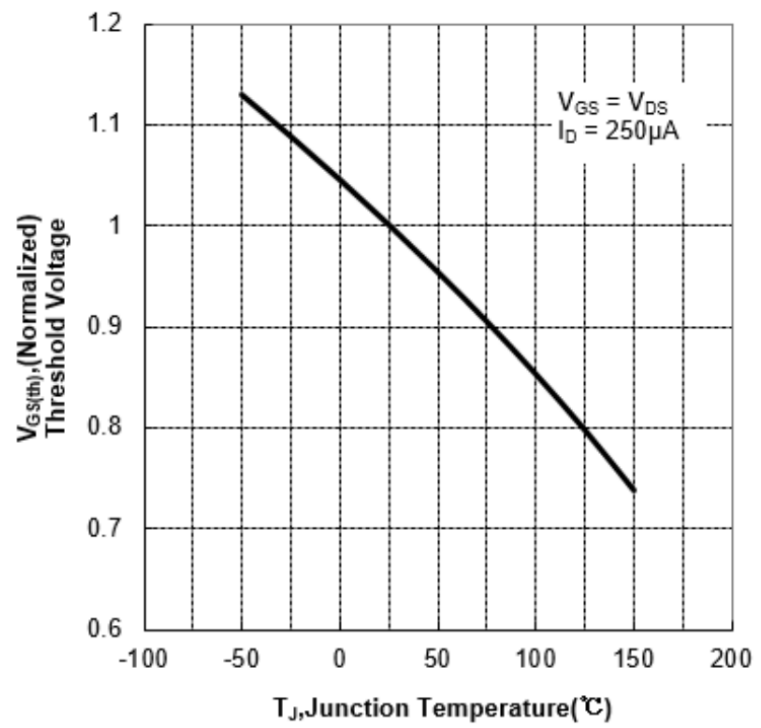


Figure 9 Typical Breakdown Voltage vs Junction Temperature

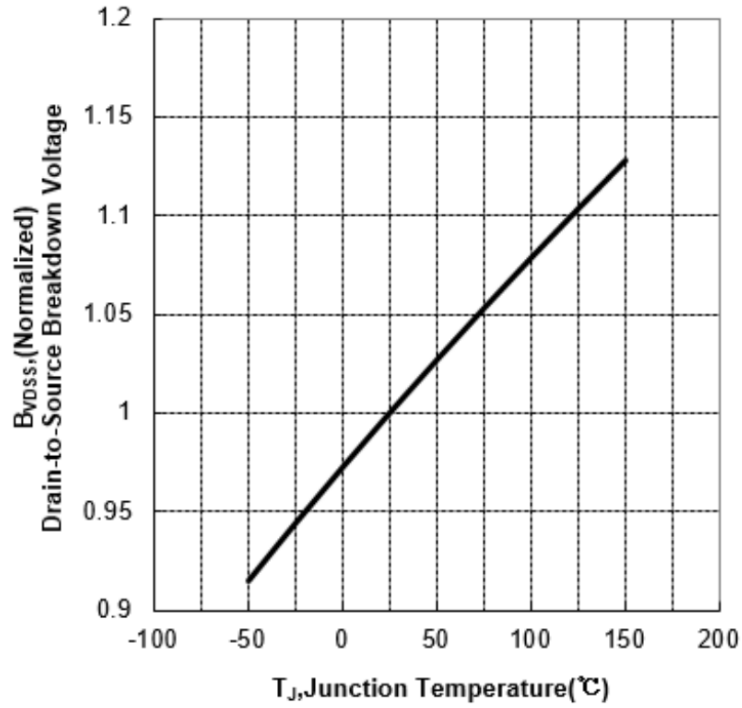


Figure 10 T Typical Capacitance vs Drain to Source Voltage

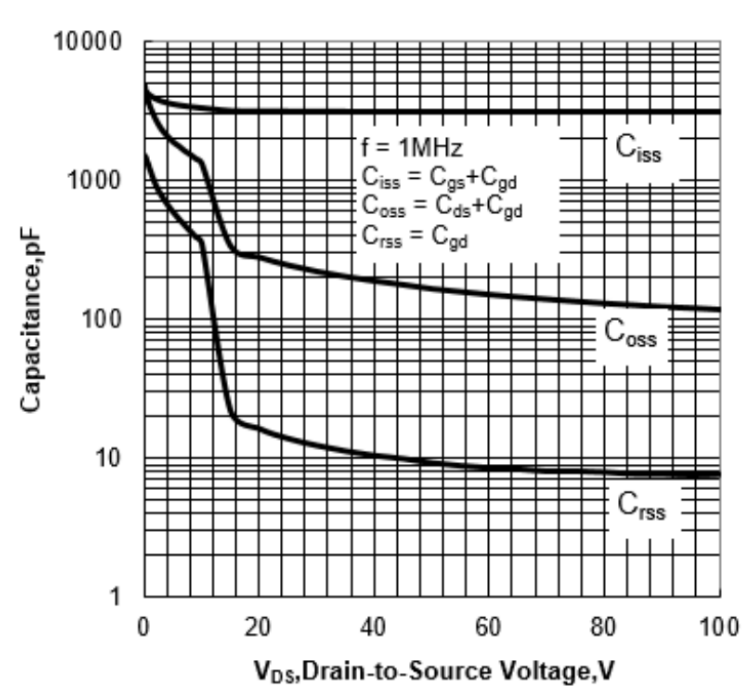
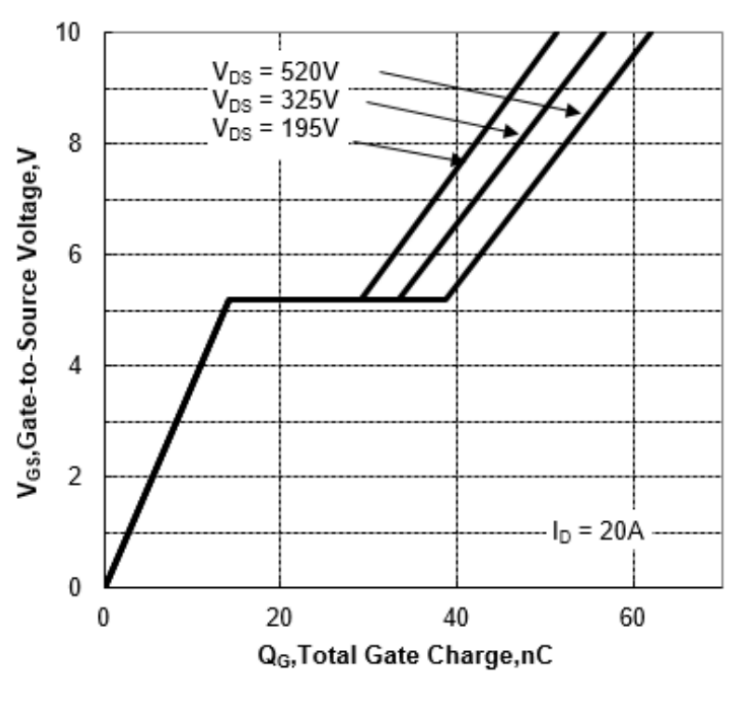


Figure 11 Typical Gate Charge vs Gate to Source Voltage



测试电路 Test circuits

Figure 12 Gate Charge Test Circuit

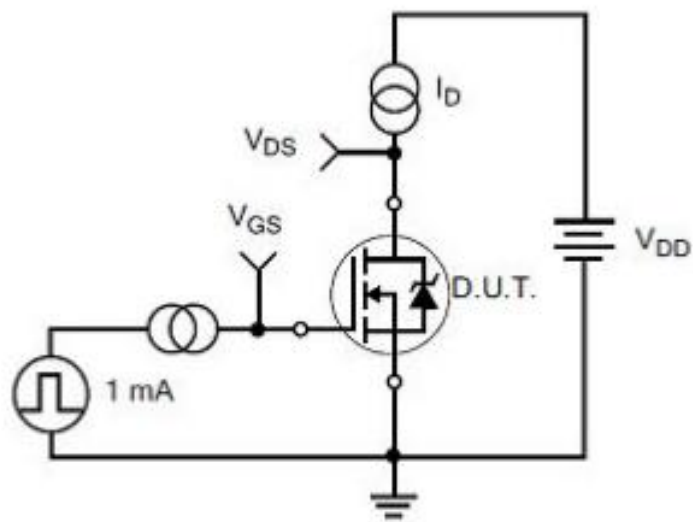


Figure 13 Gate Charge Waveforms

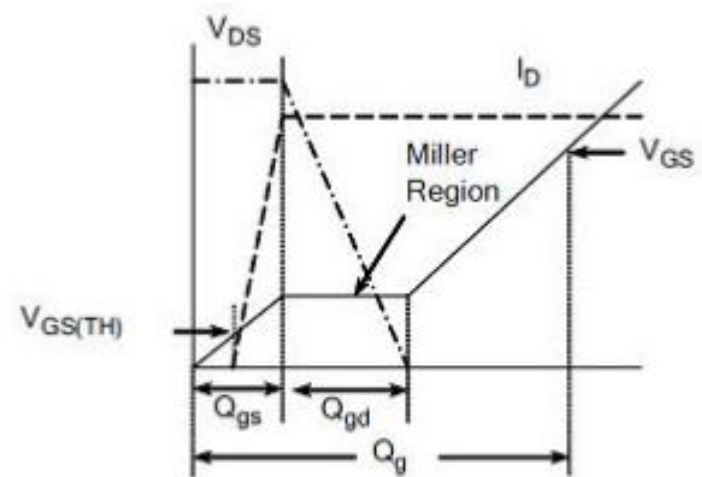


Figure 14 Resistive Switching Test Circuit

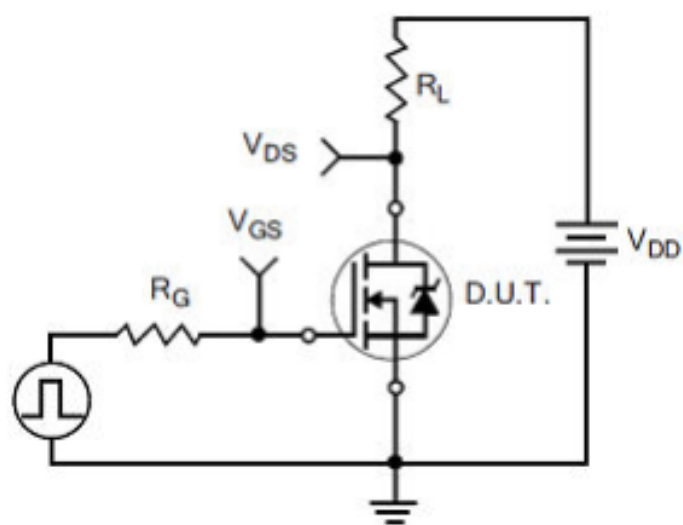


Figure 15 Resistive Switching Waveforms

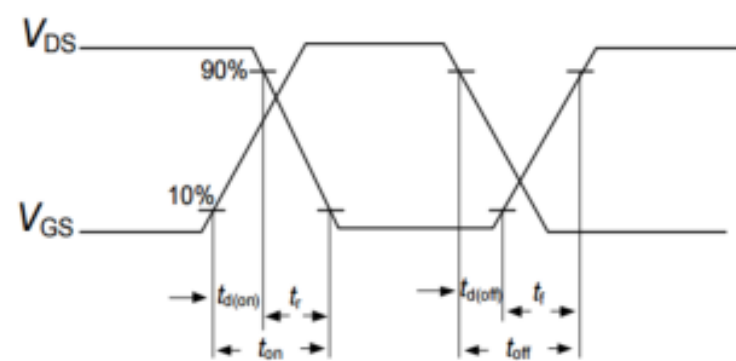


Figure 16 Diode Reverse Recovery Test Circuit

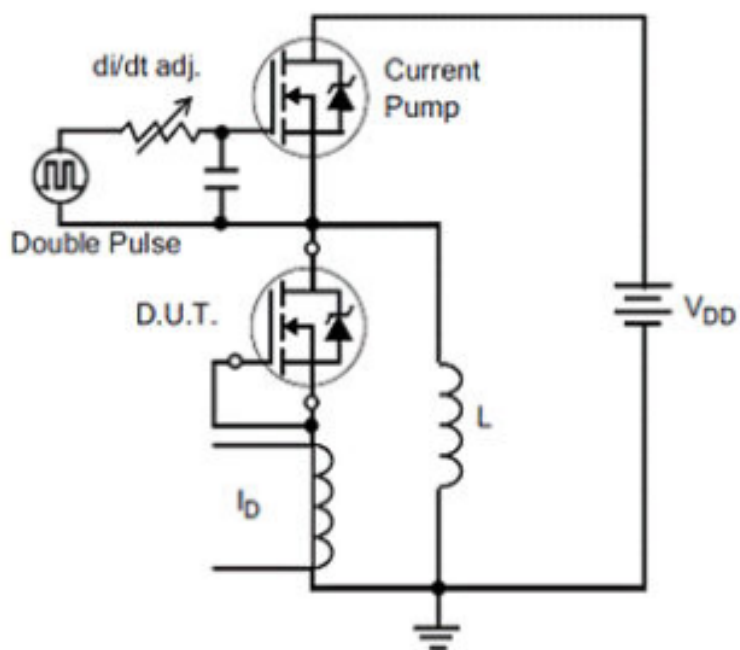


Figure 17 Diode Reverse Recovery Waveform

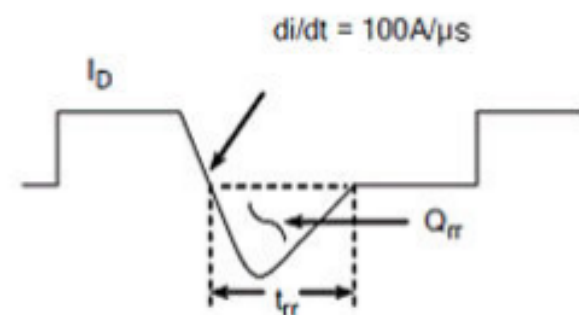


Figure 18 Unclamped Inductive Switching Test Circuit

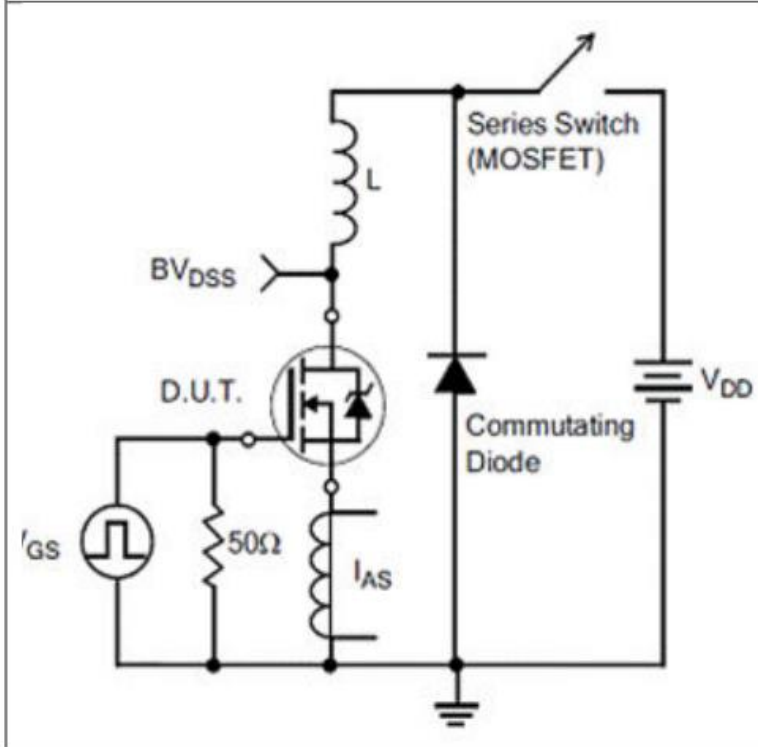
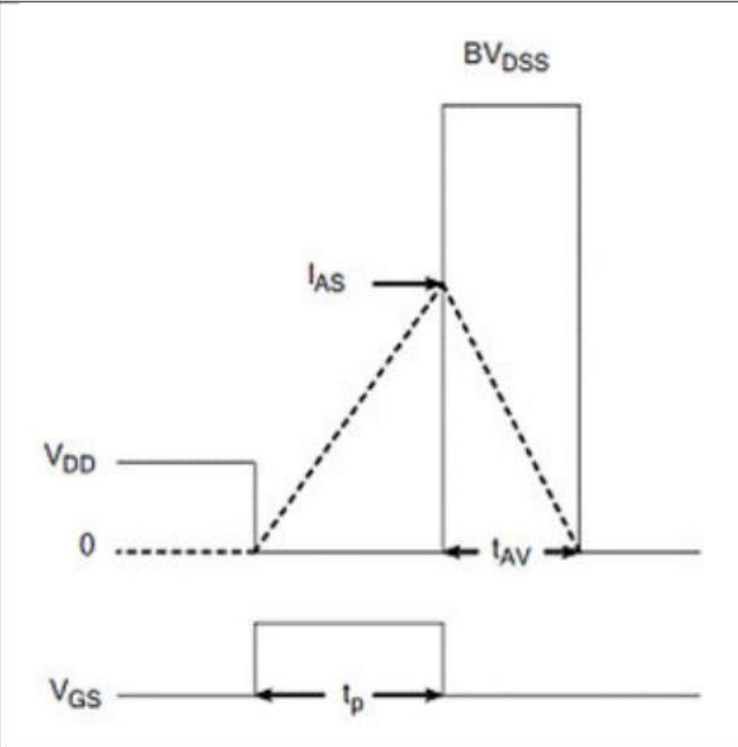
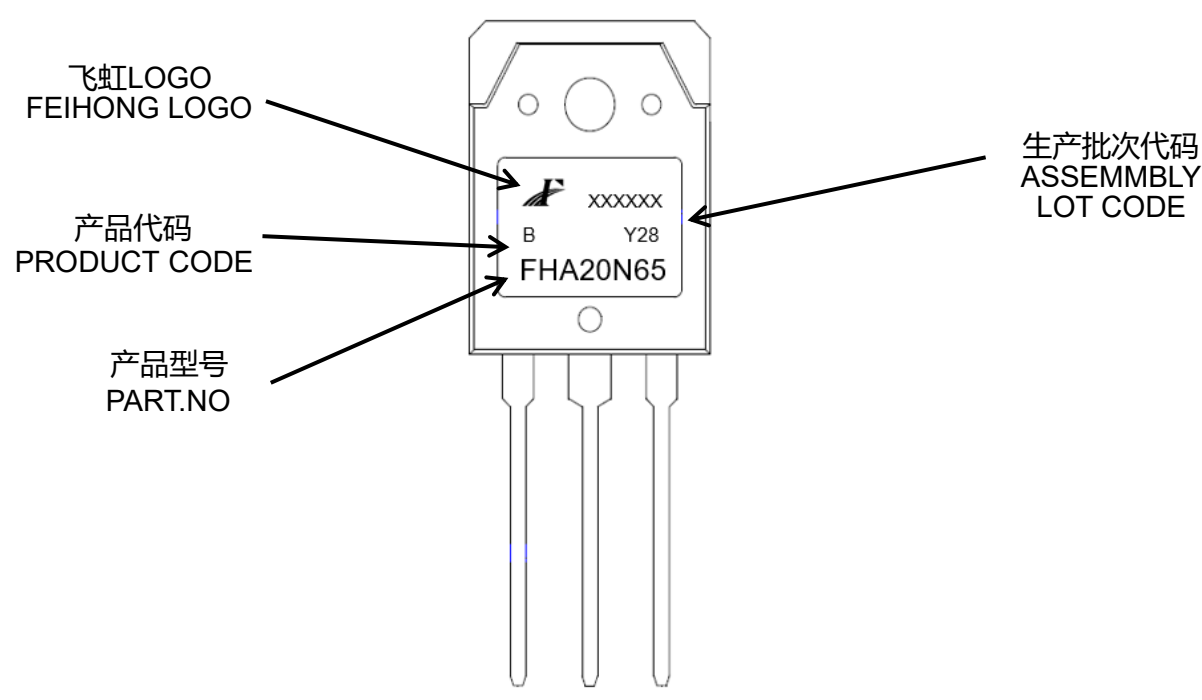
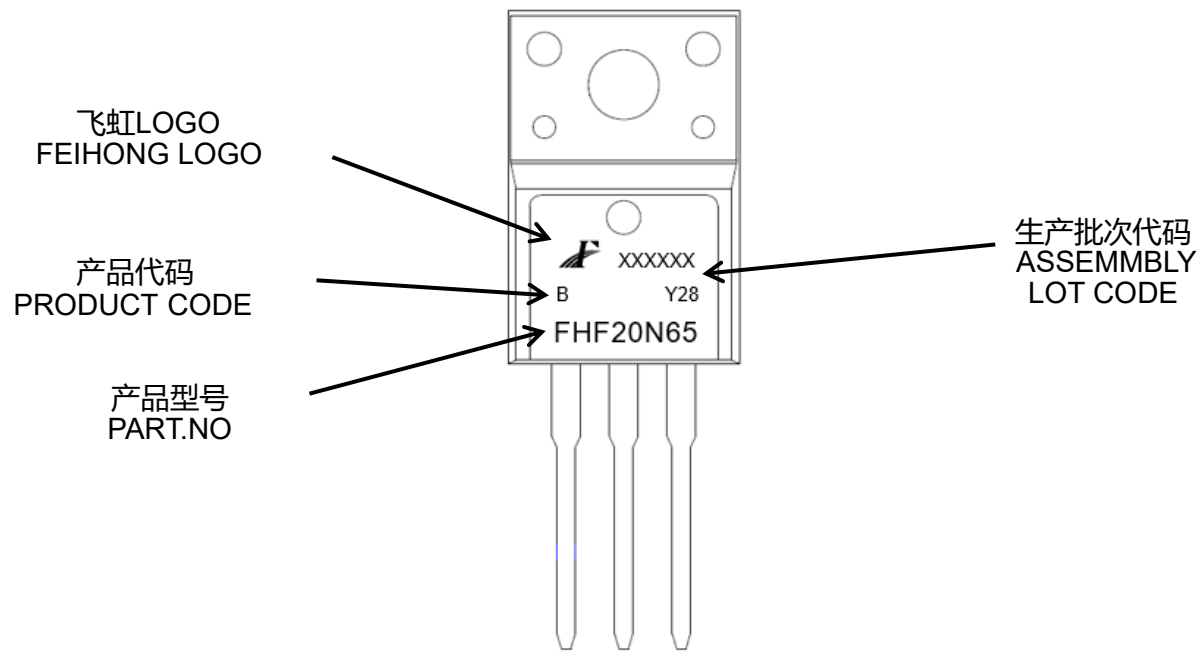
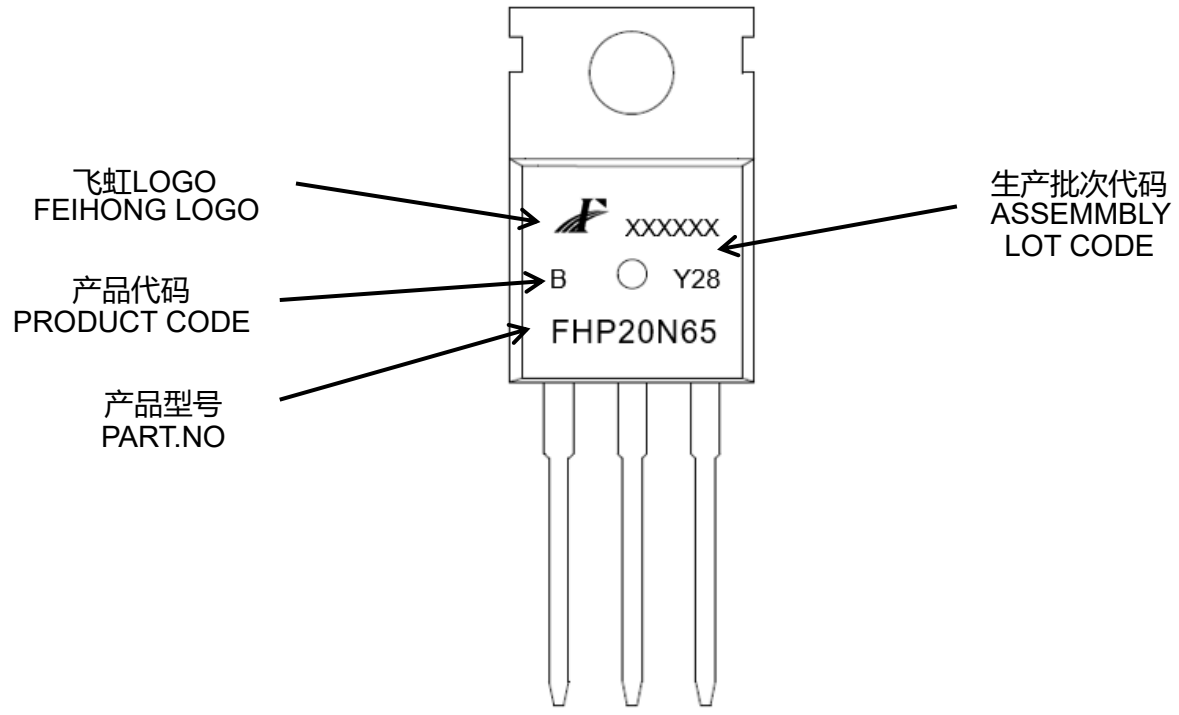


Figure 19 Unclamped Inductive Switching Waveform



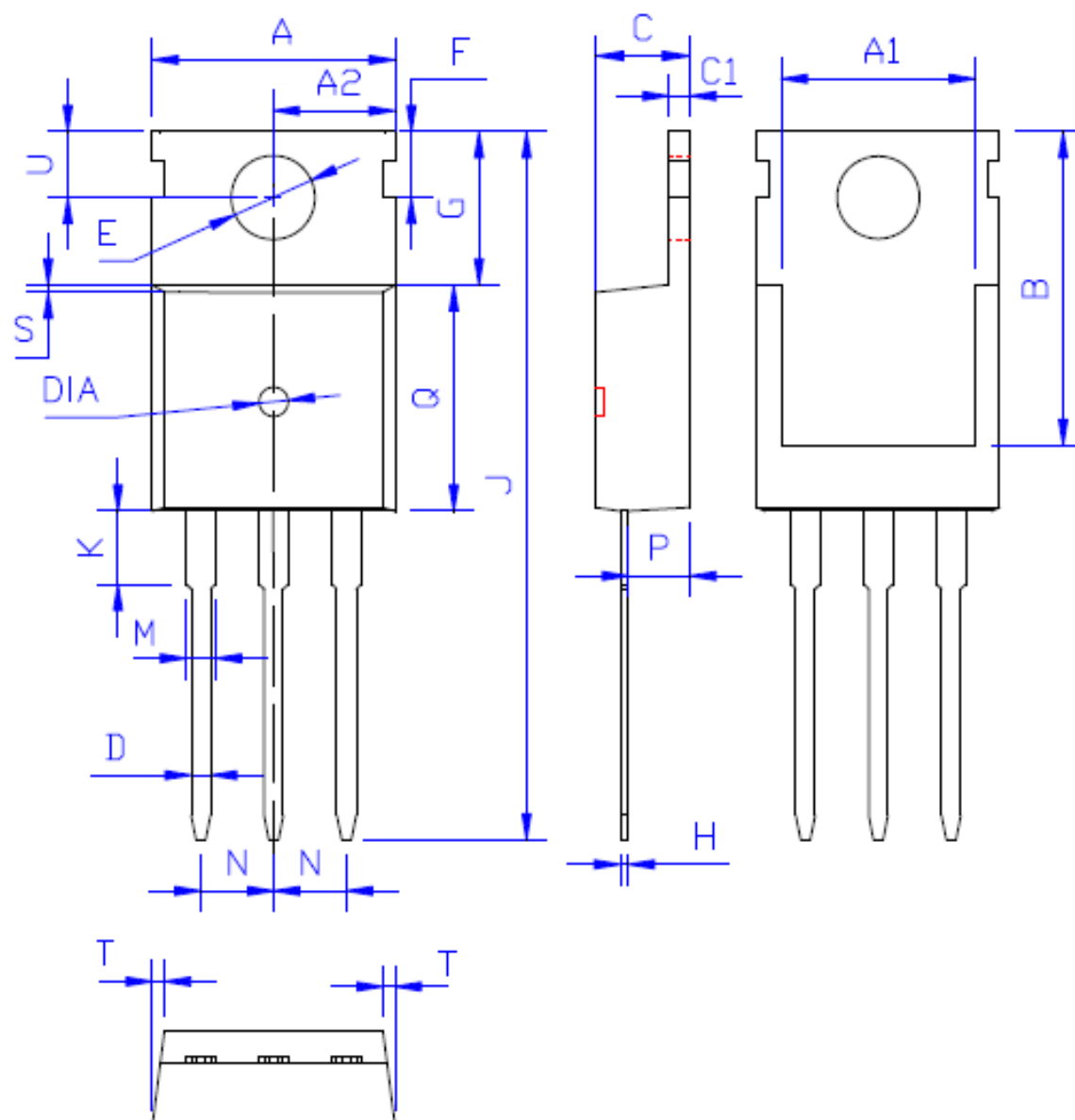
印记 Marking



外形尺寸:

Package Dimension:

TO-220



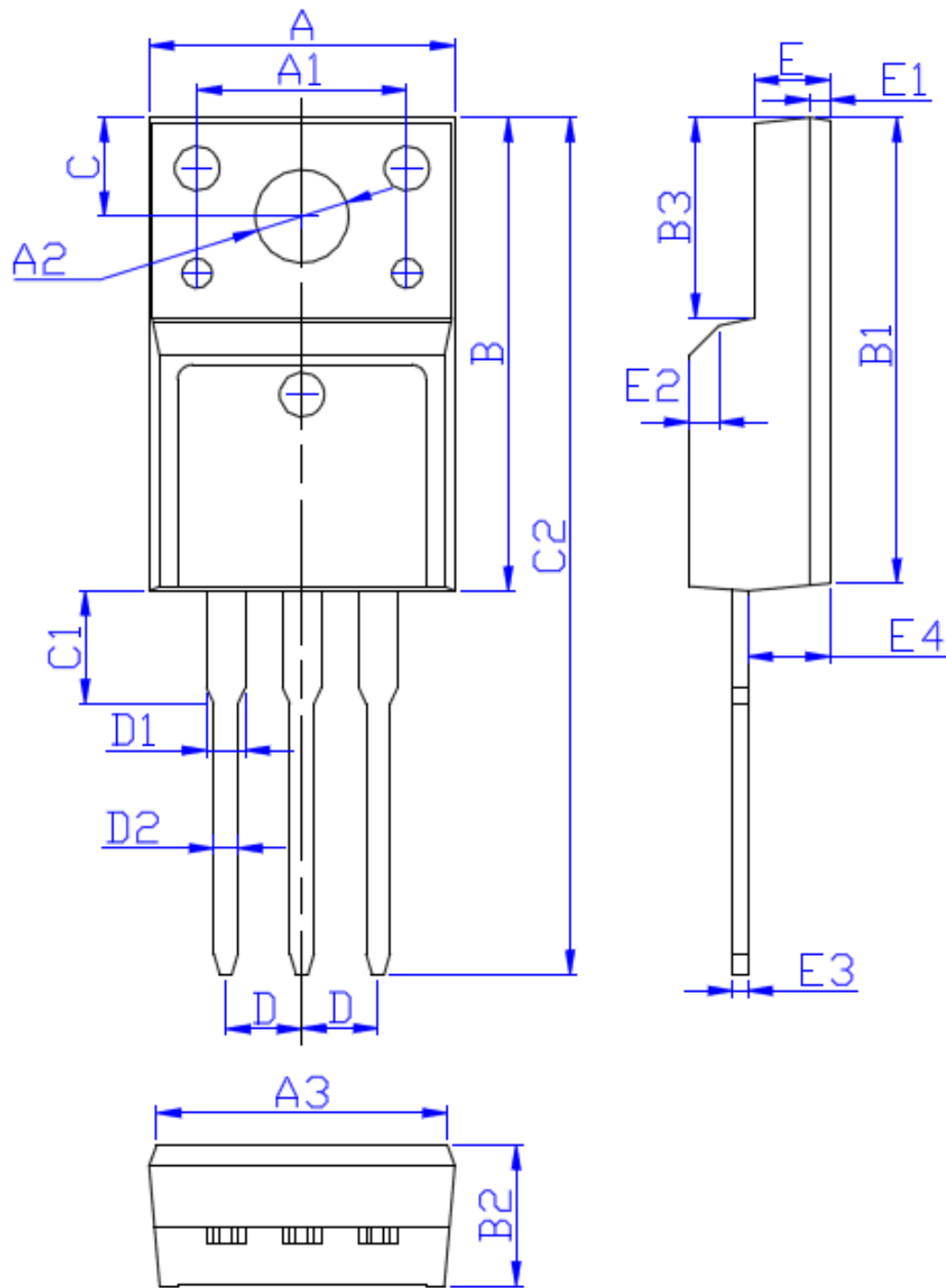
DIM	MILLIMETERS
A	10.00±0.30
A1	8.00±0.30
A2	5.00±0.30
B	13.20±0.40
C	4.50±0.20
C1	1.30±0.20
D	0.80±0.20
E	3.60±0.20
F	3.00±0.30
G	6.60±0.40
H	0.50±0.20
J	28.88±0.50
K	3.00±0.30
M	1.30±0.30
N	Typical 2.54
P	2.40±0.40
Q	9.20±0.40
S	0.25±0.15
T	0.25±0.15
U	2.80±0.30
DIA	宽 1.50±0.10 深 0.50 MAX

(Unit: mm)

外形尺寸:

Package Dimension:

TO-220F



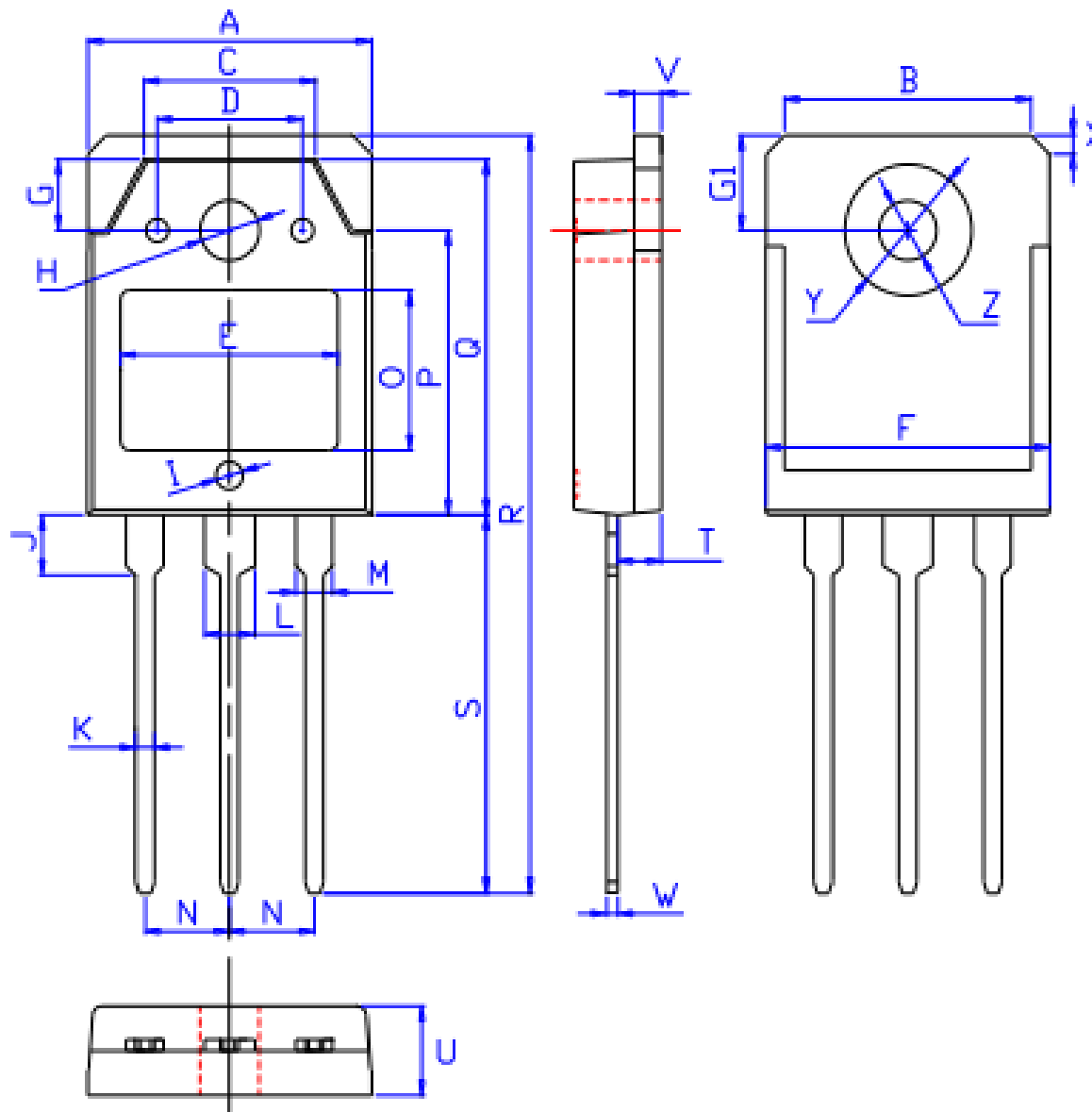
DIM	MILLIMETERS
A	10.16 ± 0.30
A1	7.00 ± 0.20
A2	3.12 ± 0.20
A3	9.70 ± 0.30
B	15.90 ± 0.50
B1	15.60 ± 0.50
B2	4.70 ± 0.30
B3	6.70 ± 0.30
C	3.30 ± 0.25
C1	3.25 ± 0.30
C2	28.70 ± 0.50
D	Typical 2.54
D1	1.47 (MAX)
D2	0.80 ± 0.20
E	2.55 ± 0.25
E1	0.70 ± 0.25
E2	$1.0 \times 45^\circ$
E3	0.50 ± 0.20
E4	2.75 ± 0.30

(Unit: mm)

外形尺寸:

Package Dimension:

TO-3PN



DIM	MILLIMETERS
A	15.60±0.30
B	13.60±0.30
C	9.50±0.30
D	8.00±0.30
E	11.85±0.30
F	15.65±0.30
G	3.80±0.30
G1	5.00±0.30
H	Φ3.50±0.30
I	Φ1.50±0.30 深 0.15±0.15
J	3.20±0.30
K	1.00±0.15
L	3.10±0.15
M	2.10±0.15
N	5.45±0.30
O	8.40±0.30
P	13.90±0.30
Q	18.70±0.30
R	40.00±0.60
S	20.00±0.40
T	2.40±0.30
U	4.80±0.30
V	1.50±0.15
W	0.60±0.15
X	1.80±0.40
Y	7.00±0.30
Z	3.20±0.30

(Units: mm)